

Valvola a sfera RS attacchi filettati SMS

RS ball valve SMS male ends

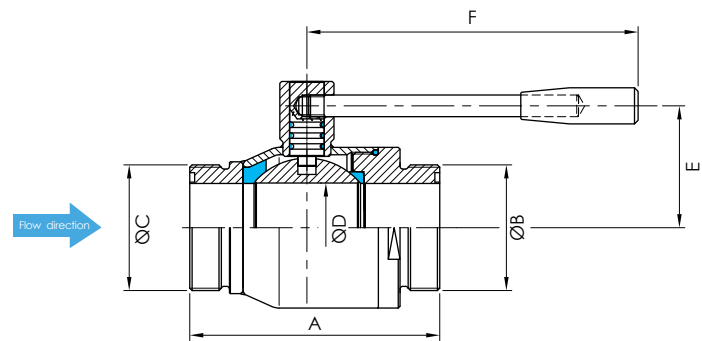
RS Kugelventil SMS G/G

Vanne à boule RS bouts filetés SMS

Válvula de bola RS macho - macho SMS

art. 80

DN	A	B	C	D	E	F
25	86	40x1/6"	24	44	146	
38	127	60x1/6"	35	64	185	
51	137	70x1/6"	49.5	68	185	
63	161	85x1/6"	57.5	73	205	
76	180	98x1/6"	69	95	243	
104	204	125x1/6"	99	122	273	



Valvola a sfera RS maschio girella SMS - filetto SMS

RS ball valve SMS nut and liner - male end

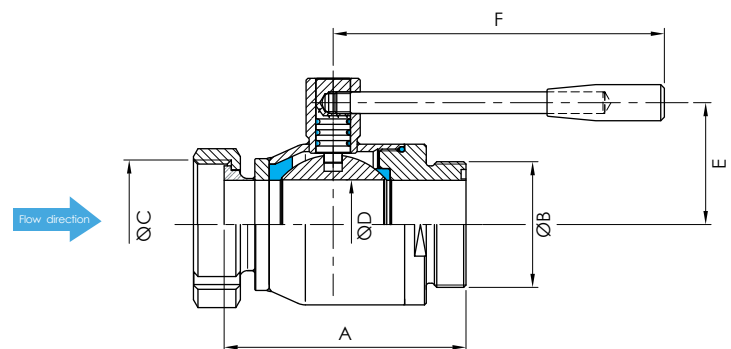
RS Kugelventil SMS KM/G

Vanne à boule RS mâle - femelle SMS

Válvula de bola RS tuerca - macho SMS

art. 80A

DN	A	B	C	D	E	F
25	86	40x1/6"	24	44	146	
38	127	60x1/6"	35	64	185	
51	137	70x1/6"	49.5	68	185	
63	161	85x1/6"	57.5	73	205	
76	180	98x1/6"	69	95	243	
104	204	125x1/6"	99	122	273	



Valvola a sfera RS flangia - filetto SMS

RS ball valve flange SMS male end

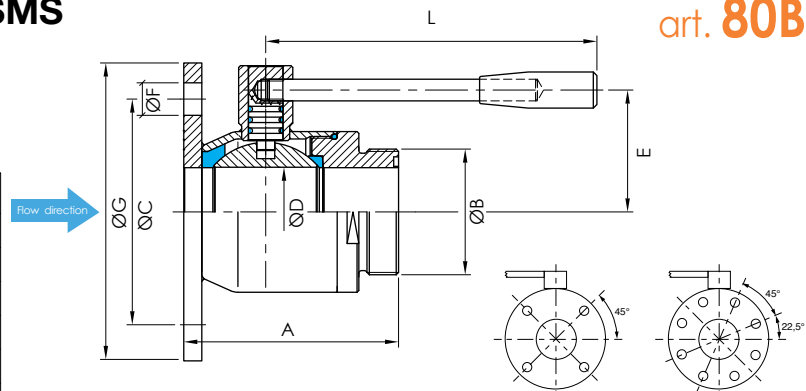
RS Kugelventil Flansch - SMS G

Vanne à boule RS bride - bout fileté SMS

Válvula de bola RS brida - macho SMS

art. 80B

DN	A	B	C	D	E	F	G	H	L
25	72	40x1/6"	85	24	44	14	115	Nr. FORI 4	146
38	107	60x1/6"	110	35	64	18	150	4	185
51	117	70x1/6"	125	49.5	68	18	165	4	185
63	141	85x1/6"	145	57.5	73	18	185	4	205
76	156	98x1/6"	160	69	95	18	200	4	243
104	181	125x1/6"	180	99	122	18	220	8	273



Posizione dei fori flangia rispetto alla valvola
 Position of the flange holes welded to the valve

Valvola a sfera RS a saldare SMS

RS ball valve welding ends

RS Kugelventil SMS S/S

Vanne à boule RS bouts lisses

Válvula de bola RS soldar SMS

art. 80C

DN	A	B	C	D	E	F
25	86	28	28	24	44	146
38	127	38	38	35	64	185
51	137	51	51	49.5	68	185
63	161	64	64	57.5	73	205
76	180	76.5	76.5	69	95	243
104	204	104	104	99	122	273

