

Valvola a sfera K flangia quadra - Macon

K ball valve square flange - Macon male end

K Kugelventil Quadratflansch - Macon G

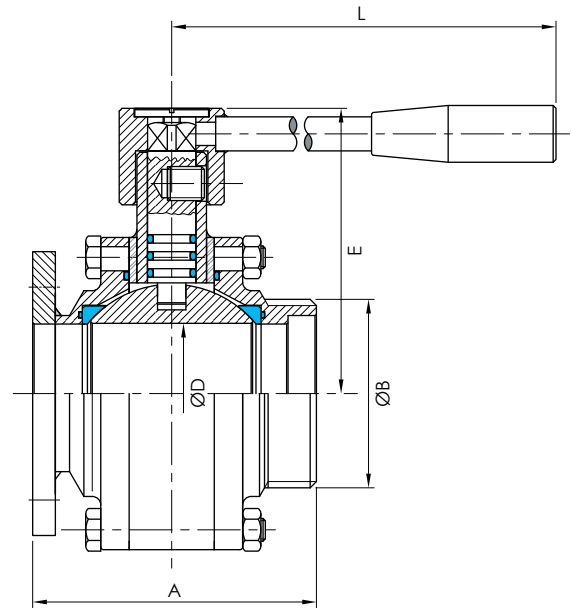
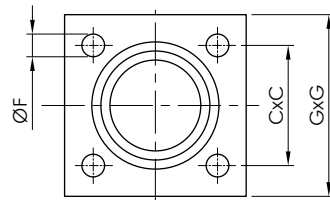
Vanne à boule K bride carrée - mâle Macon

Válvula de bola K brida cuadrada - macho Macon

AISI 304 - 316

art. **70**

DN	A	B	C	D	E	F	G	H	L
40	110	M55x3	75	40	95	11	100	4	180
50	110	M67x3	75	49.5	100.5	11	100	4	180
60	124	M79x3.5	82	57.5	107.25	13	120	4	205
70	124	M90x3.5	90	69	125.5	13	120	4	266
80	162	M102x4	102.5	79	136.5	13	140	4	266
100R	216	M125x4	102.5	89	144	13	140	4	266



Valvola a sfera K maschio girella macon - filetto macon

K ball valve Macon nut and liner - male end

K Kugelventil Macon KM/G

Vanne à boule K mâle - femelle macon

Válvula de bola K tuerca macon - macho macon

AISI 304 - 316

art. **73**

DN	A	B	C	D	E	L
40	102	55x3	40	95	180	180
50	102	67x3	49.5	100.5	180	180
60	114	79x3.5	57.5	107.25	205	205
70	124	90x3.5	69	125.5	266	266
80	152	102x4	79	136.5	266	266
100R	154	125x4	89	144	266	266

