

Valvola di scarico tarabile

Spring relief valve
 Einstellbare Feder Entlastungsventile
 Soupape de décharge réglable
 Válvula de descarga ajustable

 art. **41**

AISI 316

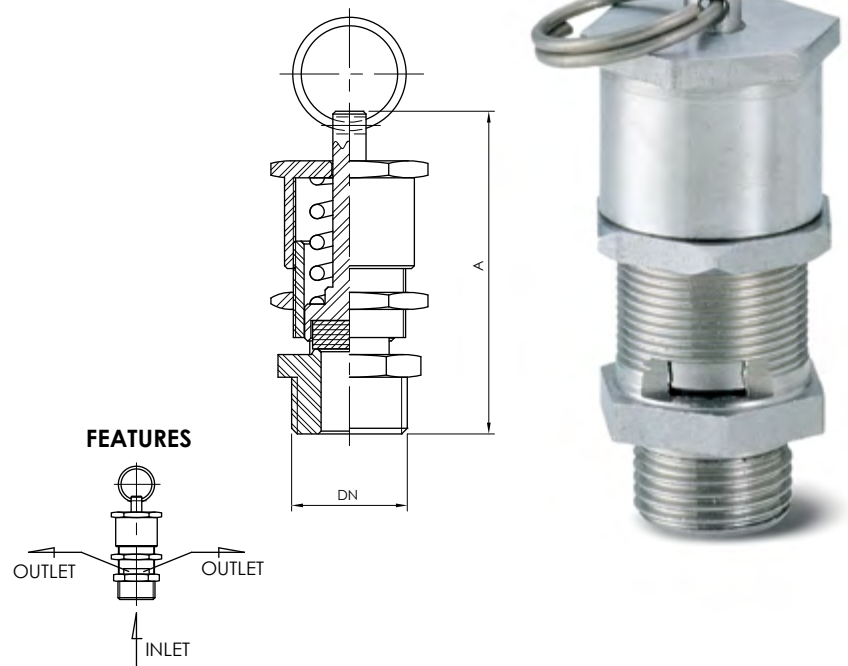
ART.	DN	A	TARATURA in bar SETTING in bar	MOLLA SPRING
41A	3/8"	56	0.5÷2	LMS041D
			1.8÷4.0	LMS041E
41A1	1/2"		3.8÷8.5	LMS041B
			8.0÷16	LMS041C
41A2	1"	56	0.1÷0.4	LMS041A
		56	0.5÷3.5	LMS041B
		56	3.6÷11	LMS041C

SPECIFICHE TECNICHE:

- Corpo e testa in AISI 316 - molla AISI 302/EN 1.4310
- Tenuta standard in EPDM - (VITON a richiesta)
- Pressione di apertura regolabile: 0.5 ÷ 16 bar
- Scarto di chiusura: ≤ 20%
- Temperatura di esercizio: -20°C / +150°C
- Filetto maschio GAS ISO 228-1

TECHNICAL SPECIFICATIONS:

- Body and head in AISI 316 - spring AISI 302/EN 1.4310
- Standard seal in EPDM - (VITON on request)
- Opening pressure adjustable: 0.5 ÷ 16 bar
- Closure gap: ≤ 20%
- Working temperature: -20°C / +150°C
- Threads male ISO 228-1



Valvola di sfiato a doppio effetto a bagno d'olio enologico a saldare

Double action relief valve, straight neck to be welded
 Unter und Überdruckventil in Ölbad getaucht mit gerader Hals
 Soupape à double effet en inox en bain d'huile œnologique. Type à souder col droit
 Válvula de desaire de doble efecto en baño de aceite enológico. Cuello recto para soldar

 art. **42**

AISI 304 - 316

ART.	DN	A	B	C	D	PORTATA RANGE
42A6	60	60.3	45	165	170	50 m³/h
42A7	70	76.1	45	165	170	50 m³/h
42A8	80	88.9	45	170	220	100 m³/h
42A10	100	101.6	45	170	220	100 m³/h

